

## NA182JP-3-2

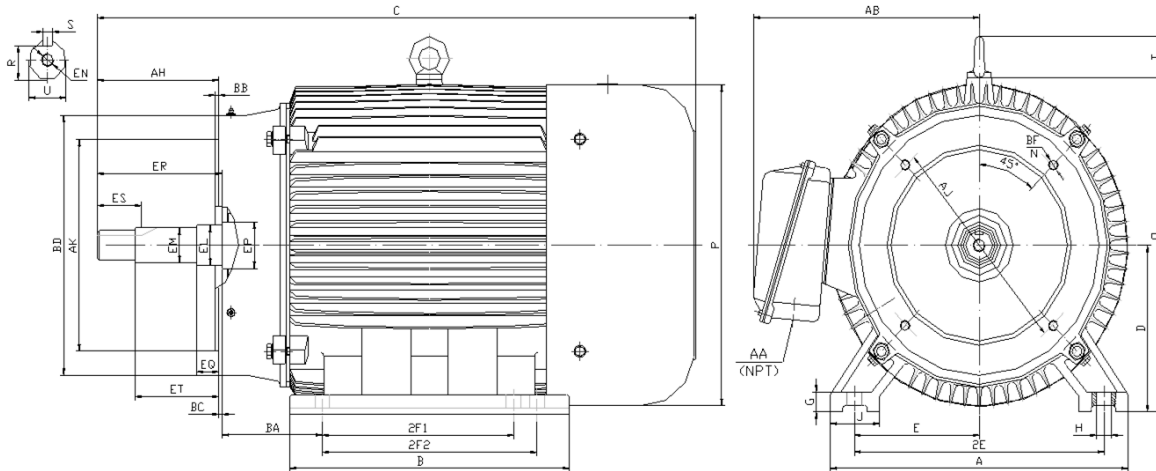
CLOSE COUPLED PUMP MOTORS

HIGH EFFICIENCY / EISA COMPLIANT

THREE PHASE, TOTALLY ENCLOSED FAN COOLED, JP FRAME

INVERTER DUTY 10:1 CT; 20:1 VT - NEMA MG1 PART 31

Factory Certified for T2B Class I, Division II, Groups A,B,C & D and Class II, Division II, Groups F & G



### DIMENSIONS

HP	RPM	Frame	MOUNTING														
			A	B	C	D	G	H	J	E	2E	2F1	2F2	O	P	T	BA
3	3600	182JP	9.50	7.30	20.55	4.50	0.60	0.41	2.00	3.75	7.50	4.50	0.00	9.10	8.70	1.60	3.50

FLANGE							Shaft Extension, Key Set										
AK	AJ	AH	BB	BC	BD	N*BF	U	R	S	EQ	ER	ES	ET	EP	EL	EM	EN
4.500	5.88	7.343	0.156	0.12	6.62	4*3/8-16	0.8745	0.771	0.190	1.578	7.31	1.65	5.952	1.57	1.250	1.0000	3/8-16
4.497		7.281	0.125				0.8740	0.756	0.188	1.548			5.922		1.248	0.9995	

Conduit Box		Bearings		Mount
AA	AB	DE	ODE	
0.75	7.50	6208-ZZ	6306-ZZ	F1

**BEARING LUBRICATION:** The bearings come lubricated with Mobile Polyrex EM Polyurea Grease.





## NA182JP-3-2

**CLOSE COUPLED PUMP MOTORS**

**HIGH EFFICIENCY / EISA COMPLIANT**

**THREE PHASE, TOTALLY ENCLOSED FAN COOLED, JP FRAME**

**INVERTER DUTY 10:1 CT; 20:1 VT - NEMA MG1 PART 31**

Factory Certified for T2B Class I, Division II, Groups A,B,C & D and Class II, Division II, Groups F & G

### PERFORMANCE DATA

HP	RPM	Frame	Voltage	Frequency (Hz)	Full Load S.F.	Insulation Class	NEMA Design	Slip (%)	NEMA Code	Enclosure Type	IP Rating	Max. Ambient
3	3515	182JP	208-230/460	60	1.15	F	C	2.4	K	TEFC	55	40° C

Amps (460V)		Efficiency (%)				Power Factor			Torque (ft-lb)			DE Bearing	ODE Bearing	Connection	Weight (lbs.)
FLA	LRA	100%	75%	50%	Min.	100%	75%	50%	FLT	LRT %	BDT %				
3.9	32.0	85.5	85.0	83.0	82.5	0.850	0.810	0.730	4.5	240	285	6208-ZZ	6306-ZZ	9 Lead 2Y/Y	88

### NAME PLATE

<b>North American Electric, Inc.</b>										<b>HIGH EFFICIENCY EISA COMPLIANT</b>					<b>CONNECTION DIAGRAMS</b>		
<b>INVERTER DUTY 20:1 VT; 10:1 CT</b>										<b>CLOSE COUPLED PUMP MOTOR</b>							
CAT NO:		NA182JP-3-2				FRAME		182JP		PHASE		3		<b>208 - 230V</b> 			
HZ	60	S.F.	1.15	HZ	50	S.F.	1.0	ENCL	TEFC	IP	55						
HP	3	RPM	3515	HP	3	RPM	2900	DUTY	CONT	DES	C						
VOLTS		208-230/460				VOLTS		190/380		AMB		40° C		INS			
FLA	8.6 - 7.8 / 3.9			FLA		9.2 / 4.6			DE BEARING		6208-ZZ		<b>460V</b> 				
CODE	K	P.F.	0.85	CODE	H	P.F.	0.88	ODE BEARING		6306-ZZ							
EFF	85.5	MIN	82.5	EFF	83.5	MIN	81.5	LUB:		Mobile Polyrex EM							
MOTOR WEIGHT		88 LBS		CONNECTION		9 Lead 2Y/Y		SER NO									
Specifically designed for use on industrial and commercial pumping units. Hernando, Mississippi																CC 082A	

### APPLICATIONS:

Specifically designed for use on industrial and commercial pumping units.