

## NA213JM-7.5-2

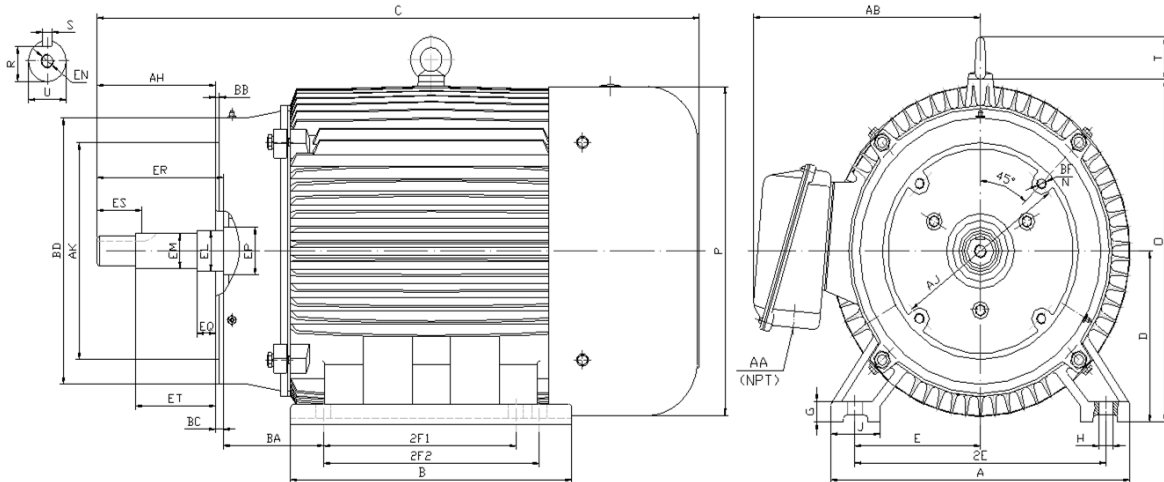
CLOSE COUPLED PUMP MOTORS

HIGH EFFICIENCY / EISA COMPLIANT

THREE PHASE, TOTALLY ENCLOSED FAN COOLED, JM FRAME

INVERTER DUTY 10:1 CT; 20:1 VT - NEMA MG1 PART 31

Factory Certified for T2B Class I, Division II, Groups A,B,C & D and Class II, Division II, Groups F & G



### DIMENSIONS

HP	RPM	Frame	MOUNTING														
			A	B	C	D	G	H	J	E	2E	2F1	2F2	O	P	T	BA
7.5	3600	213JM	11.00	7.90	20.78	5.25	0.70	0.41	2.40	4.25	8.50	5.50	0.00	10.50	10.20	1.90	4.25

FLANGE							Shaft Extension, Key Set										
AK	AJ	AH	BB	BC	BD	N*BF	U	R	S	EQ	ER	ES	ET	EP	EL	EM	EN
8.500	7.25	4.281	0.312	0.25	9.00	4*1/2-13	0.8745	0.771	0.190	0.640	4.25	1.65	2.890	1.77	1.250	1.0000	3/8-16
8.497		4.219	0.250				0.8740	0.756	0.188	0.610		2.860	1.248		0.9995		

Conduit Box		Bearings		Mount
AA	AB	DE	ODE	
1.00	8.30	6309-ZZ	6308-ZZ	F1

**BEARING LUBRICATION:** The bearings come lubricated with Mobile Polyrex EM Polyurea Grease.



## NA213JM-7.5-2

**CLOSE COUPLED PUMP MOTORS**

**HIGH EFFICIENCY / EISA COMPLIANT**

**THREE PHASE, TOTALLY ENCLOSED FAN COOLED, JM FRAME**

**INVERTER DUTY 10:1 CT; 20:1 VT - NEMA MG1 PART 31**

Factory Certified for T2B Class I, Division II, Groups A,B,C & D and Class II, Division II, Groups F & G

### PERFORMANCE DATA

HP	RPM	Frame	Voltage	Frequency (Hz)	Full Load S.F.	Insulation Class	NEMA Design	Slip (%)	NEMA Code	Enclosure Type	IP Rating	Max. Ambient
7.5	3510	213JM	208-230/460	60	1.15	F	C	2.5	H	TEFC	55	40° C

Amps (460V)		Efficiency (%)				Power Factor			Torque (ft-lb)			DE Bearing	ODE Bearing	Connection	Weight (lbs.)
FLA	LRA	100%	75%	50%	Min.	100%	75%	50%	FLT	LRT %	BDT %				
8.8	63.0	88.5	87.5	85.0	86.5	0.880	0.840	0.750	11.2	230	280	6309-ZZ	6308-ZZ	9 Lead 2Y/Y	134

### NAME PLATE

		<b>HIGH EFFICIENCY EISA COMPLIANT</b>		<b>CONNECTION DIAGRAMS</b>	
<b>INVERTER DUTY 20:1 VT; 10:1 CT</b>		<b>CLOSE COUPLED PUMP MOTOR</b>		<b>208 - 230V</b>	
CAT NO:	NA213JM-7.5-2	FRAME	213JM	PHASE	3
HZ	60	S.F.	1.15	HZ	50
S.F.	1.15	HZ	50	S.F.	1.0
ENCL	TEFC	IP	55		
HP	7.5	RPM	3510	HP	7.5
RPM	3510	HP	7.5	RPM	2890
DUTY	CONT	DES	C		
VOLTS	208-230/460	VOLTS	190/380	AMB	40° C
INS	F				
FLA	19.5 - 17.6 / 8.8	FLA	22 / 11	DE BEARING	6309-ZZ
CODE	H	P.F.	0.88	CODE	G
P.F.	0.88	CODE	G	P.F.	0.90
ODE BEARING	6308-ZZ				
EFF	88.5	MIN	86.5	EFF	86.5
MIN	86.5	EFF	86.5	MIN	84.0
LUB:	Mobile Polyrex EM				
MOTOR WEIGHT	134 LBS	CONNECTION	9 Lead 2Y/Y	SER NO	
Specifically designed for use on industrial and commercial pumping units. Hernando, Mississippi					
				CC 082A	
				<b>460V</b>	

### APPLICATIONS:

Specifically designed for use on industrial and commercial pumping units.