

**PE447T-150-6C**

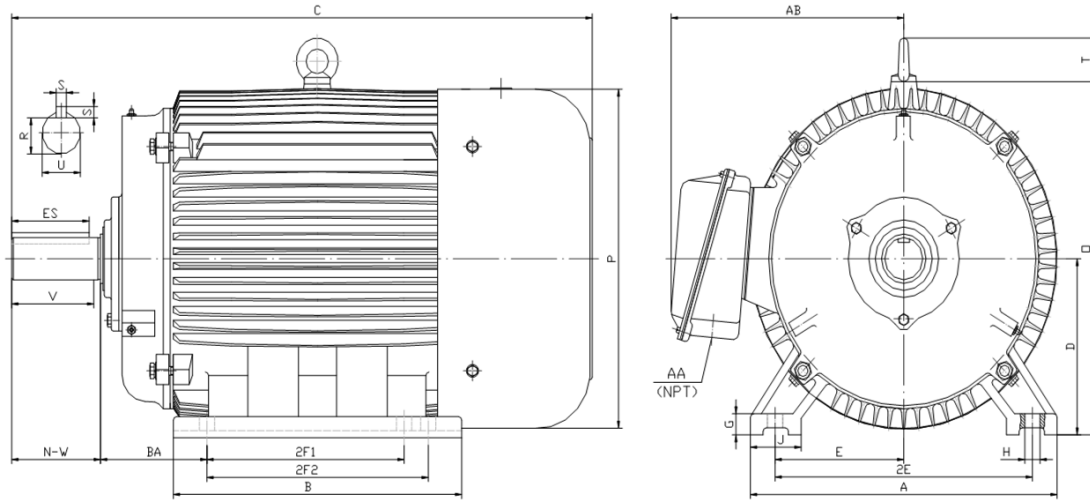
**CRUSHER DUTY ELECTRIC MOTOR**

**NEMA PREMIUM EFFICIENCY**

**TOTALLY ENCLOSED FAN COOLED**

**INVERTER DUTY 10:1 CT; 20:1 VT - NEMA MG1 PART 31**

Factory Certified for T2B Class I, Division II, Groups A,B,C & D and Class II, Division II, Groups F & G



**DIMENSIONS**

HP	RPM	Frame	MOUNTING														
			A	B	C	D	G	H	J	E	2E	2F1	2F2	O	P	T	BA
150	1200	447T	21.70	26.40	47.80	11.00	1.35	0.81	3.35	9.00	18.00	16.50	20.00	23.00	23.40	3.00	7.50

Shaft Extension, Key Set						Conduit Box		Bearings		Mount
U	V	R	S	ES	N-W	AA	AB	DE	ODE	
3.375	8.25	2.880	0.875	6.91	8.50	3.00	19.90	NU319	6318	F1

**BEARING LUBRICATION:** The bearings come lubricated with Mobil Polyrex EM Polyurea Grease. It is recommended that you add some additional lubrication when the motor is installed.

Three options (brands) for suitable lubrication include, but are not limited to, the following:

- 1.) Mobil Polyrex EM
- 2.) Citco Polyurea MP
- 3.) Conoco Phillips Polytac EP





**PE447T-150-6C**

**CRUSHER DUTY ELECTRIC MOTOR**

**NEMA PREMIUM EFFICIENCY**

**TOTALLY ENCLOSED FAN COOLED**

**INVERTER DUTY 10:1 CT; 20:1 VT - NEMA MG1 PART 31**

Factory Certified for T2B Class I, Division II, Groups A,B,C & D and Class II, Division II, Groups F & G

**PERFORMANCE DATA**

HP	RPM	Frame	Voltage	Frequency (Hz)	Full Load S.F.	Insulation Class	NEMA Design	Slip (%)	NEMA Code	Enclosure Type	IP Rating	Max. Ambient
150	1185	447T	460	60	1.15	F	C	1.3	G	TEFC	55	40° C

Amps (460V)		Efficiency (%)				Power Factor			Torque (ft-lb)			DE Bearing	ODE Bearing	Connection	Weight (lbs.)
FLA	LRA	100%	75%	50%	Min.	100%	75%	50%	FLT	LRT %	BDT %				
177.0	1085	95.8	95.1	94.5	95.0	0.800	0.780	0.700	664.5	200	250	NU319	6318	6 Lead Δ	1821

**NAME PLATE**

<p>INVERTER DUTY 20:1 VT; 10:1 CT</p>										<p>CONNECTION DIAGRAMS (460V)</p> <p>Across The Line</p>																
CAT NO:		PE447T-150-6C				FRAME		447T		PHASE		3		<p>PWS Start</p>												
HZ		60		S.F.		1.15		HZ		50		S.F.		1.0		ENCL		TEFC		IP		55		<p>PWS Run</p>		
HP		150		RPM		1185		HP		150		RPM		985		DUTY		CONT		DES		C				
VOLTS				460				VOLTS				380				AMB		40° C		INS		F				
FLA				177.0				FLA				217				DE BEARING				NU319						
CODE		G		P.F.		0.80		CODE		F		P.F.		0.83		ODE BEARING				6318						
EFF		95.8		MIN		95.0		EFF		94.3		MIN		93.5		LUB:				Mobil Polyrex EM						
MOTOR WEIGHT				1821.0 LBS				CONNECTION				6 Lead Δ				SER NO										
<p>General purpose use on industrial machinery installed in damp, dusty or dirty environments.</p> <p>Hernando, Mississippi</p> <p>CC 082A</p>																										

**APPLICATIONS:**

General purpose use on pumps, fans, blowers, compressors, conveyors, material handling and other industrial machinery installed in damp, dusty or dirty environments.