

**PE505UZ-350-6C**

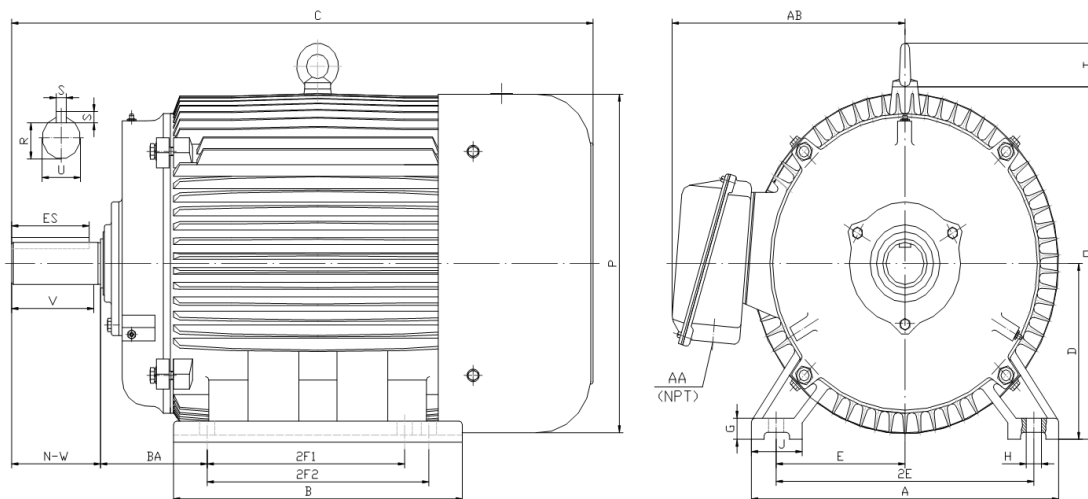
**GENERAL PURPOSE ELECTRIC MOTOR**

**NEMA PREMIUM EFFICIENCY**

**TOTALLY ENCLOSED FAN COOLED**

**INVERTER DUTY 10:1 CT; 20:1 VT - NEMA MG1 PART 31**

Factory Certified for T2B Class I, Division II, Groups A,B,C & D and Class II, Division II, Groups F & G



**DIMENSIONS**

HP	RPM	Frame	MOUNTING														
			A	B	C	D	G	H	J	E	2E	2F1	2F2	O	P	T	BA
350	1200	505UZ	24.80	26.70	62.40	12.50	1.93	1.09	4.80	10.00	20.00	16.00	18.00	25.40	24.30	3.35	8.50

Shaft Extension, Key Set						Conduit Box		Bearings		Mount
U	V	R	S	ES	N-W	AA	AB	DE	ODE	
3.875	10.88	3.309	1.000	10.00	11.63	3.00	22.80	NU322	6319	F1

**BEARING LUBRICATION:** The bearings come lubricated with Mobil Polyrex EM Polyurea Grease. It is recommended that you add some additional lubrication when the motor is installed.

Three options (brands) for suitable lubrication include, but are not limited to, the following:

- 1.) Mobil Polyrex EM
- 2.) Citco Polyurea MP
- 3.) Conoco Phillips Polytac EP





**PE505UZ-350-6C**

**GENERAL PURPOSE ELECTRIC MOTOR**

**NEMA PREMIUM EFFICIENCY**

**TOTALLY ENCLOSED FAN COOLED**

**INVERTER DUTY 10:1 CT; 20:1 VT - NEMA MG1 PART 31**

Factory Certified for T2B Class I, Division II, Groups A,B,C & D and Class II, Division II, Groups F & G

**PERFORMANCE DATA**

HP	RPM	Frame	Voltage	Frequency (Hz)	Full Load S.F.	Insulation Class	NEMA Design	Slip (%)	NEMA Code	Enclosure Type	IP Rating	Max. Ambient
350	1190	505UZ	460	60	1.15	F	C	0.8	G	TEFC	55	40° C

Amps (460V)		Efficiency (%)				Power Factor			Torque (ft-lb)			DE Bearing	ODE Bearing	Connection	Weight (lbs.)
FLA	LRA	100%	75%	50%	Min.	100%	75%	50%	FLT	LRT %	BDT %				
393.0	2550	95.8	95.4	95.0	95.0	0.870	0.850	0.785	1543.0	200	260	NU322	6319	6 Lead Δ	3440

**NAME PLATE**

										<b>CONNECTION DIAGRAMS (460V)</b>					
<b>INVERTER DUTY 20:1 VT; 10:1 CT</b>										<b>Across The Line</b> 					
CAT NO:		PE505UZ-350-6C			FRAME		505UZ		PHASE		3		<b>PWS Start</b> 		
HZ 60		S.F. 1.15		HZ 50		S.F. 1.0		ENCL TEFC		IP 55		<b>PWS Run</b> 			
HP 350		RPM 1190		HP 350		RPM 990		DUTY CONT		DES C					
VOLTS 460			VOLTS 380			AMB 40° C		INS F							
FLA 393.0			FLA 470			DE BEARING NU322									
CODE G		P.F. 0.87		CODE F		P.F. 0.89		ODE BEARING 6319							
EFF 95.8		MIN 95.0		EFF 95		MIN 94.1		LUB: Mobil Polyrex EM							
MOTOR WEIGHT 3440.0 LBS		CONNECTION 6 Lead Δ			SER NO										
General purpose use on industrial machinery installed in damp, dusty or dirty environments. Hernando, Mississippi												CC 082A			

**APPLICATIONS:**

General purpose use on pumps, fans, blowers, compressors, conveyors, material handling and other industrial machinery installed in damp, dusty or dirty environments.