

PEXP326TC-30-6

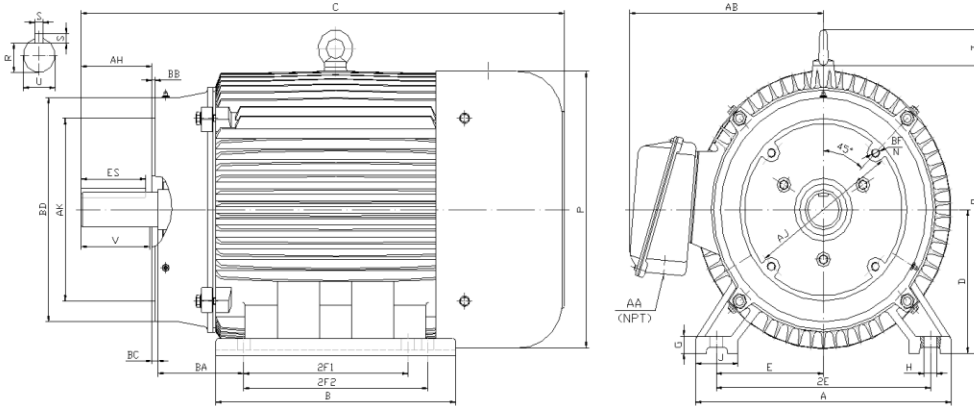
EXPLOSION PROOF ELECTRIC MOTOR

NEMA PREMIUM EFFICIENCY

TOTALLY ENCLOSED FAN COOLED; EXPLOSION PROOF ENCLOSURE

CLASS I DIVISION I GROUP C & D; CLASS II DIVISION I GROUP F & G

OPERATING TEMP CODE T3C



DIMENSIONS

HP	RPM	Frame	MOUNTING														
			A	B	C	D	G	H	J	E	2E	2F1	2F2	O	P	T	BA
30	1200	326TC	15.50	14.70	31.30	8.00	1.00	0.66	2.75	6.25	12.50	10.50	12.00	15.90	15.70	2.60	5.25

FLANGE							Shaft Extension, Key Set						Conduit Box		Bearings		Mount
AH	AJ	AK	BB	BC	BD	BF	U	V	R	S	ES	N-W	AA	AB	DE	ODE	
5.00	11.00	12.50	0.25	0.25	14.00	4*5/8-11	2.13	5.00	1.85	0.50	3.91	5.25	2.00	12.30	6312/C3	6312/C3	F1

BEARING LUBRICATION: The bearings come lubricated with Mobil Polyrex EM Polyurea Grease. It is recommended that you add some additional lubrication when the motor is installed.

Three options (brands) for suitable lubrication include, but are not limited to, the following:

- 1.) Mobil Polyrex EM
- 2.) Citco Polyurea MP
- 3.) Conoco Phillips Polytac EP



PEXP326TC-30-6

EXPLOSION PROOF ELECTRIC MOTOR

NEMA PREMIUM EFFICIENCY

TOTALLY ENCLOSED FAN COOLED; EXPLOSION PROOF ENCLOSURE

CLASS I DIVISION I GROUP C & D; CLASS II DIVISION I GROUP F & G





OPERATING TEMP CODE T3C


PERFORMANCE DATA

HP	RPM	Frame	Voltage	Frequency (Hz)	Full Load S.F.	Insulation Class	NEMA Design	Slip (%)	NEMA Code	Enclosure Type	IP Rating	Max. Ambient	Oper Temp Code	Max. KVAR
30	1185	326TC	208-230/460	60	1.15	F	B	1.3	G	TEXP	55	40° C	T3C	11.9

Amps (460V)		Max. Amps (208V)	Efficiency (%)				Power Factor			Torque (ft-lb)			DE Bearing	ODE Bearing	Connection	Weight (lbs.)
FLA	LRA	60HZ	100%	75%	50%	Min.	100%	75%	50%	FLT	LRT %	BDT %				
34.5	217.5	76.3	93.0	93.2	92.8	91.7	0.830	0.826	0.750	132.7	135	200	6312/C3	6312/C3	9 Lead 2Δ/Δ	739

NAME PLATE

 		PREMIUM EFFICIENT EXPLOSION PROOF MOTOR		CONNECTION DIAGRAMS	
CAT NO: PEXP326TC-30-6				FRAME 326TC	PHASE 3
DE BRG 6312/C3		ODE BRG 6312/C3	CONN. 9 Lead 2Δ/Δ		
MAX AMB. 40° C		INS. CLASS F	RATING CONT	WEIGHT 739	
USABLE ON 208V 60HZ AT 76.3		MAX AMPS SER			
DIVISION 1 CLASS I GROUP C D CLASS II GROUP F G			OPER TEMP CODE T3C		
60 HERTZ DATA	HP 30	RPM 1185	HP 30	RPM 988	50 HERTZ DATA
	VOLTS 208-230/460		VOLTS 190/380		
	F.L. AMPS 34.5		F.L. AMPS 83.5/41.8		
	S.F. AMPS 39.7		S.F. AMPS 83.5/41.8		
	S.F. 1.15 DESIGN B CODE G		S.F. 1.0 DESIGN B CODE H		
	NEMA NOM.EFF. 93.0 % P.F. 0.83		NEMA NOM.EFF. 93.0 % P.F. 0.83		
	NEMA MIN.EFF. 91.7 %		NEMA MIN.EFF. 90.6 %		
MAX. KVAR 11.9		LUB. Mobil Polyrex EM			
<small>General purpose use on industrial machinery installed in damp, dusty or dirty environments. These motors are designed for use in hazardous locations defined by class and group.</small>					
Hernando, Mississippi		 		CC 041B	

	ELECTRIC MOTORS FOR HAZARDOUS LOCATIONS
	CLASS I DIVISION I GROUP C D, CLASS II DIVISION I GROUP F G
	NO. CCXXXX E310089

APPLICATIONS:

General purpose use on pumps, fans, blowers, compressors, conveyors, material handling and other industrial machinery installed in damp, dusty or dirty environments. These motors are designed to be used in hazardous locations as defined by class and group.